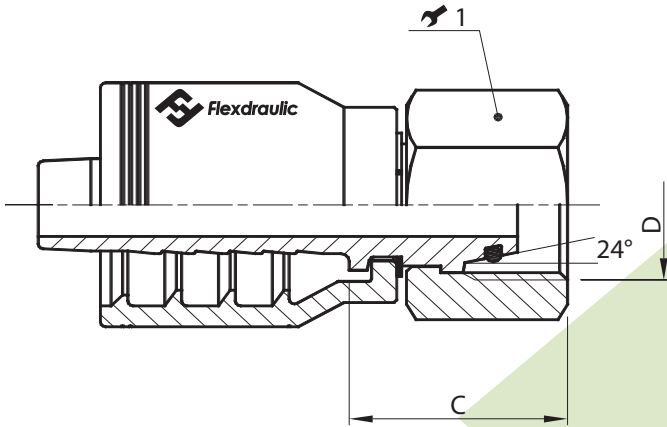


## Metric / DIN Heavy Female Swivel (24° Cone Seat)



Part #	Hose I.D.		Metric Thread (T)	Required Tube O.D.	Cutoff (C)	Wrench	
	Inch	Size				1 (Inch) ⚙ 1 (mm)	
J12-70C	3/4"	-12	M30 X 2	S20	1.42"	1 1/16"	36
J12-75C	3/4"	-12	M36 X 2	S25	1.61"	1 13/16"	46
J16-80C	1"	-16	M42 X 2	S30	1.76"	2"	50

One Piece Bite The Wire